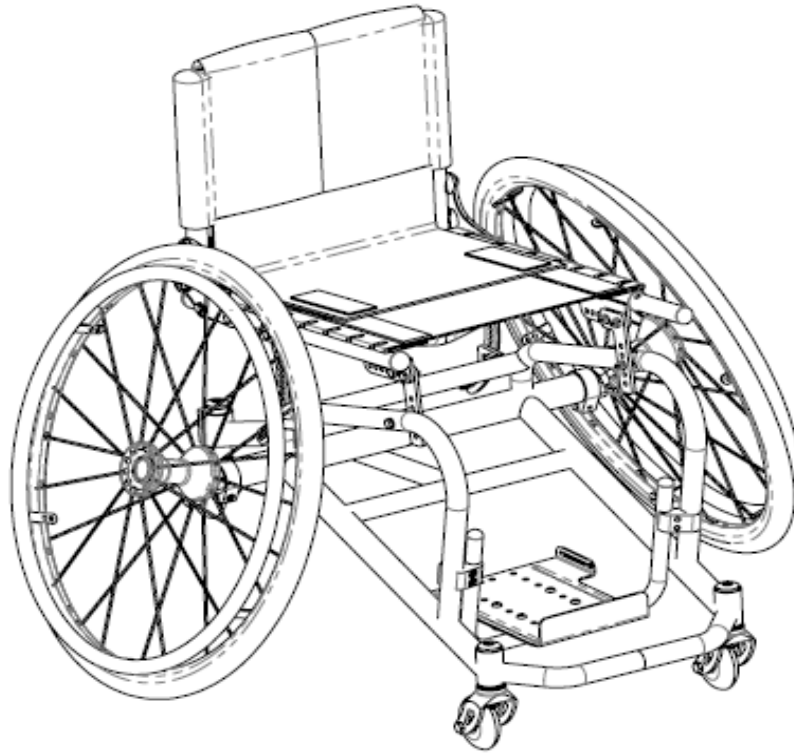




Sports and Recreation Products  
4501 63rd Circle North  
Pinellas Park, FL 33781  
(800) 532-8677 (727) 522-8677  
Fax: (727)522-1007

# Invacare Top End Parts Catalog

PRO BB, Pro-2  
& PRO TENNIS

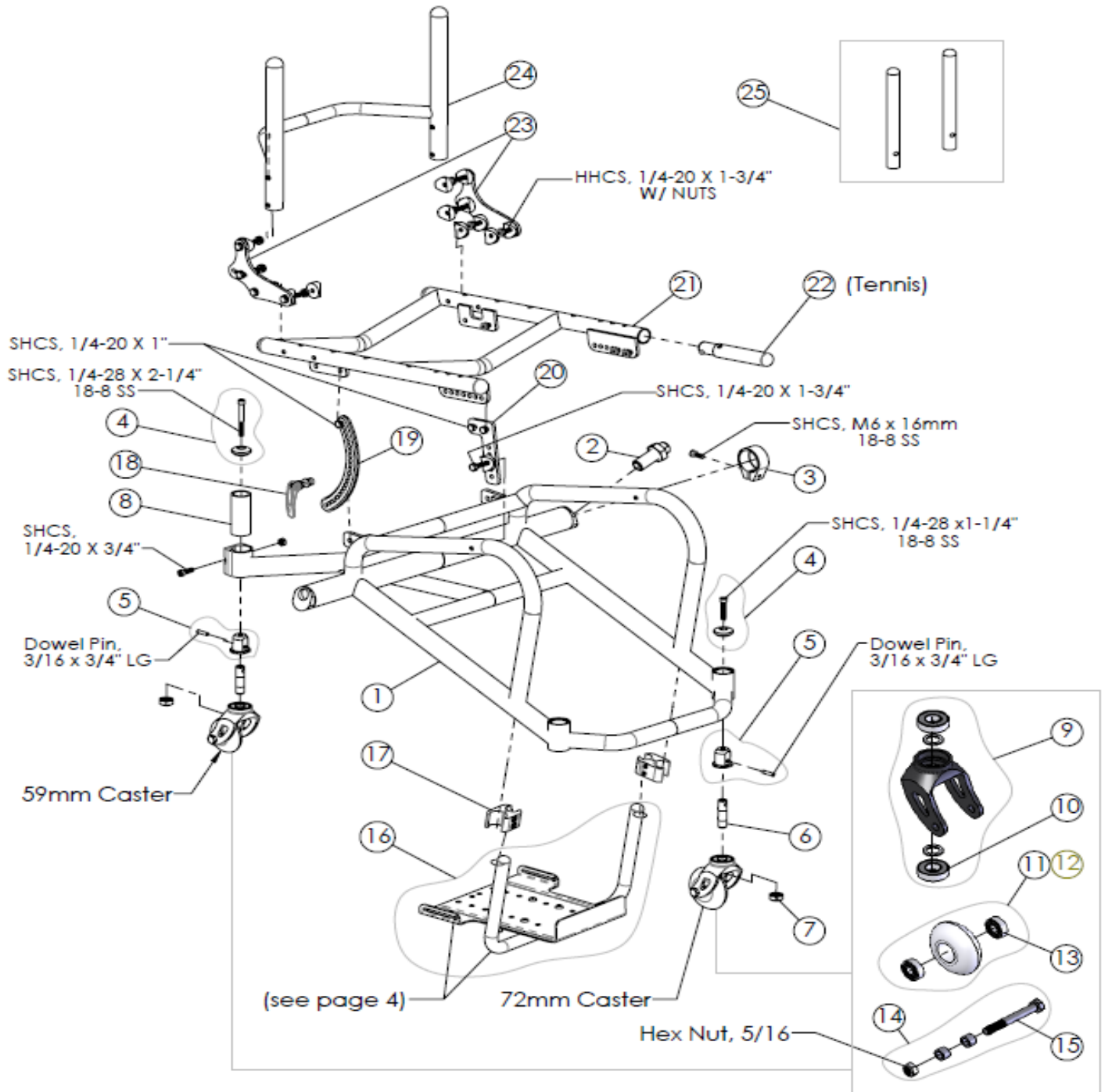




Sports and Recreation Products  
 4501 63rd Circle North  
 Pinellas Park, FL 33781  
 (800) 532-8677 (727) 522-8677  
 Fax: (727)522-1007

# Parts Order Diagram

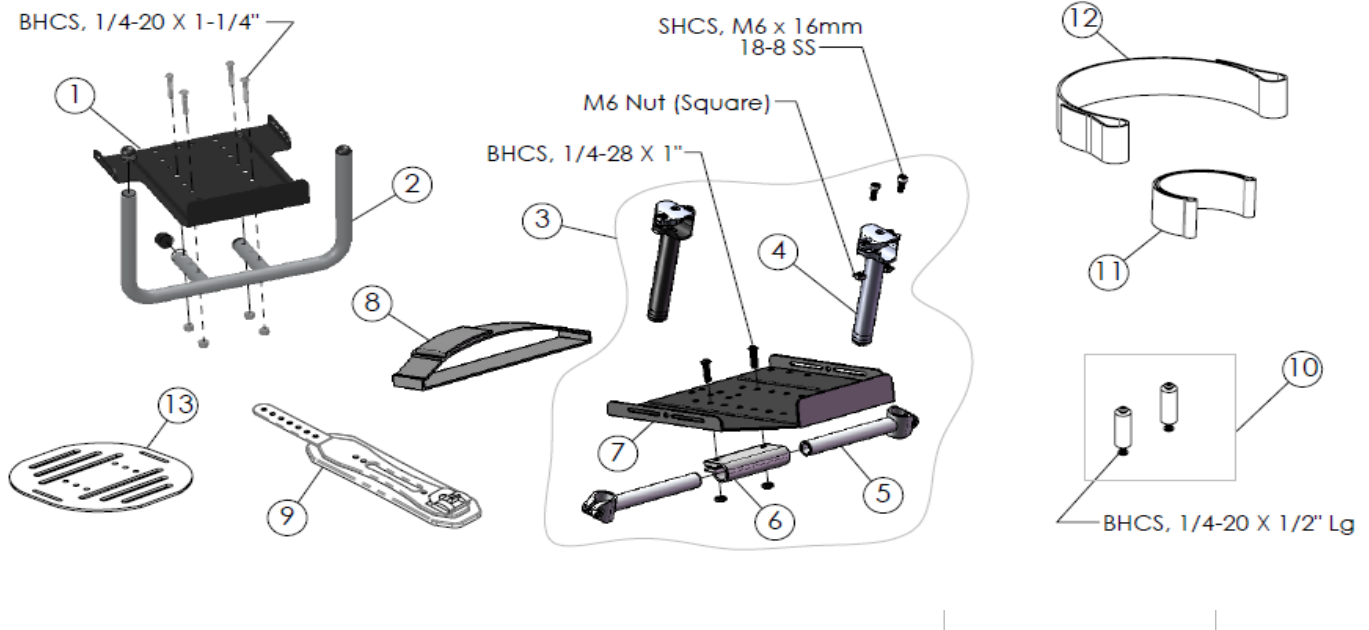
## Pro-2, PRO BB PRO TENNIS Frame / Parts



	Invacare Top End Sports and Recreation Products		Parts Order Diagram:	
	(800) 532-8677 (727) 522-8677 fax: (727) 522-1007		<b>Pro-2, Pro BB, Pro-Tennis: Frame Assembly</b>	
Date:	PO#:	SO#:		
Bill To:		Ship To:		
Quote #:	Phone:	Serial #:		

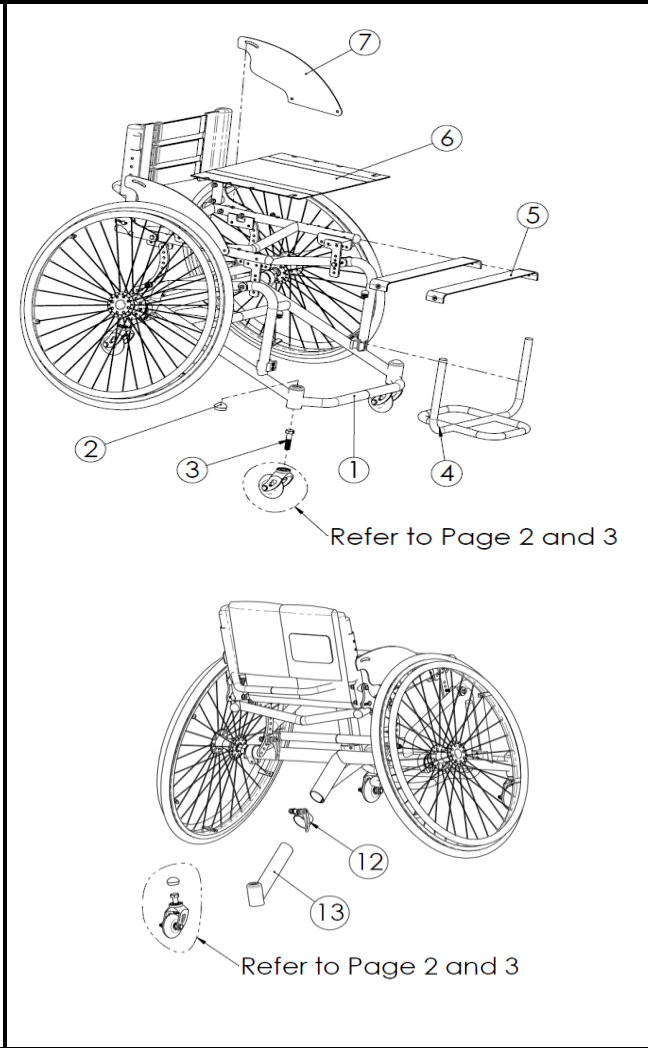
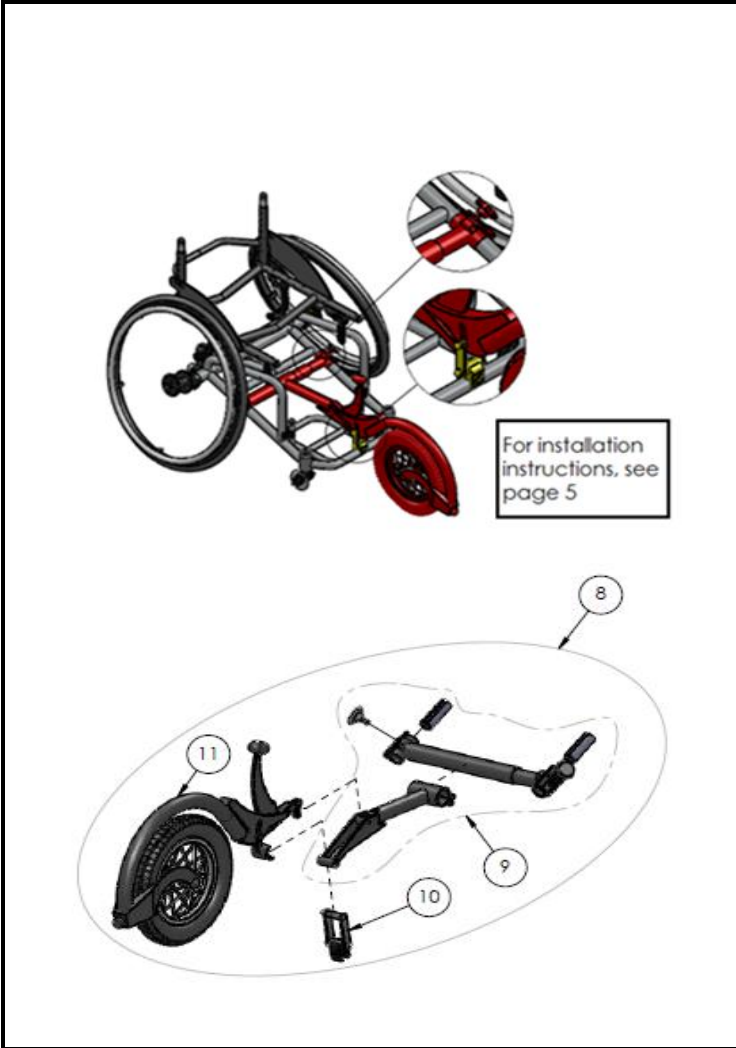
ITEM NO.	PART NUMBER	PER Chair	DESCRIPTION		ORDER QTY	
1	1153247	1	Pro BB Lower Frame, Aluminum, send new complete order form	Original Serial #: <input type="text"/>	<input type="text"/>	EA
	1153248	1	Pro Tennis Lower Frame, Aluminum, send new complete order form	Original Serial #: <input type="text"/>	<input type="text"/>	EA
2	1145947	2	Axle Receiver, Lock Washer, Washer, Nut Assembly (Sport)		<input type="text"/>	EA
3	1116530	2	Camber Clamp, Extruded		<input type="text"/>	EA
4	1166364	3	Headtube Cap, (Include 1/4-28 Bolt) Bolt Length: <input type="checkbox"/> 1-1/4" (Front) <input type="checkbox"/> 2-1/4" (Rear)		<input type="text"/>	EA
5	1166541	3	Headtube Bushing & Dowel Pin (3/16 x 3/4" LG) Assembly		<input type="text"/>	EA
6	1166362	3	Fork Stem		<input type="text"/>	EA
7	1025737	3	Nut, 1/2"-20 Nylock (includes washer)		<input type="text"/>	EA
8	1166383	1	Headtube, Anti-tip		<input type="text"/>	EA
9	1145935	3	3" Insert Fork Assembly (includes fork and two bearings)		<input type="text"/>	EA
10	1054030	2	Bearing, (1/2" ID x 1-1/8" OD), Fork (2 per each) Note: Bearings Requires Pressing		<input type="text"/>	EA
11	1145939	1	Caster (59mm) for Rear Anti-tip w/ Composite Hub (2 Bearings Included)		<input type="text"/>	EA
12	1139783	2	Front 3" Caster (72mm) w/ Composite Hub (Bearings Included)		<input type="text"/>	EA
13	1054029	2	Caster Bearing, (5/16" ID x 7/8" OD) (2 per Caster) Note: Bearings Requires Pressing		<input type="text"/>	EA
14	1139775	3	Caster Mounting Hardware Kit (Includes Bolt, Nut and (2) Spacers)		<input type="text"/>	EA
16	1181155	1	Tubular Clamp-on Platform Footrest Assy. (Includes plate, mounting hardwares) After 02/15	Specify Seat Width: <input type="text"/>	<input type="text"/>	EA
17	1043712	2	Footrest Clamp 1- 3/4"		<input type="text"/>	EA
18	1083913	2	Quick Release Lever for Adjustable Seat Height		<input type="text"/>	EA
19	1156763	2	Link, Crescent Long (includes (1) Link and hardware) Rear		<input type="text"/>	EA
20	1156764	2	Seat Link, Front (includes (1) Link and hardware)		<input type="text"/>	EA
21	1153250	1	Seat Frame, Pro BB / Pro Tennis	Seat Depth: <input type="text"/>	Seat Width: <input type="text"/>	EA
22	1153277	2	Seat Extension Handle (includes handle, snap-pin, foam, plastic bushing)		<input type="text"/>	EA
23	1156765	2	Backrest Bracket Asm (incl: (1) Bracket, (4) bolts, (4) coved washers, (4) nuts)		<input type="text"/>	EA
24	1153112	1	Frame, Backrest	Back Height: <input type="text"/>	Seat Width: <input type="text"/>	EA
	1127929	1	Telescoping removable anti-tip (tennis chair)		<input type="text"/>	EA
25	1026971	1	Adj. Height Extension (Pair), Folding Back with 8-11" Back Height		<input type="text"/>	PR
	1026972	1	Adj. Height Extension (Pair), Folding Back: <input type="checkbox"/> 10-14" <input type="checkbox"/> 12-16" <input type="checkbox"/> 14-18" <input type="checkbox"/> 16-20" B.H.		<input type="text"/>	PR

	Invacare Top End Sports and Recreation Products	Parts Order Diagram:	
	(800) 532-8677 (727) 522-8677 fax: (727) 522-1007	<b>Pro-2, Pro BB, Pro-Tennis: Footrest Assy</b>	
Date:	PO#:	SO#:	
Bill To:	Ship To:		
Quote #:	Phone:	Serial #:	



ITEM NO.	PART NUMBER	PER Chair	DESCRIPTION	ORDER QTY	
1	1181154	1	Platform Footplate Small (After 02/15)		EA
2	1181153	1	Tubular Weldment, Platform Mount (After 02/15)	Seat Width: <input type="text"/>	EA
3	1156728	1	Platform Footrest, Assy., (includes plate, hardware, mounting tubes & clamps) Before 02/15		EA
4	1180952	2	Footrest Clamp - vertical, recessed, 1-1/4" lower frame		EA
5	1180953	2	Footrest Clamp - horizontal, recessed	Seat Width: <input type="text"/>	EA
6	1139739	1	Footrest clamp		EA
7	1153152	1	Platform Footplate Large (before 02/2015)		EA
8	1153249	1	Strap, D-Ring Footrest (30")		EA
9	1181314	1	Footrest, Click Strap upgrade Asm, Platform		EA
10	1116577	1	Adaptive Footplate Spacer Kit (spacers & screws), <input type="checkbox"/> 2" <input type="checkbox"/> 4" <input type="checkbox"/> 6"		PR
11	1065301	1	Heel Loop (includes (1) Loop, (2) spacers, (2) screws, (2) nuts)		EA
12	1054268	1	Calf Strap, for Foot Widths: <input type="checkbox"/> 8-10" (36") <input type="checkbox"/> 10.5-13" (41") <input type="checkbox"/> 13.5+ (46")		EA
13	1142938	1	Oval, Footplate only (7-1/2" wide)		EA

	Invacare Top End Sports and Recreation Products		Parts Order Diagram:	
	(800) 532-8677 (727) 522-8677 fax: (727) 522-1007		<b>Pro 2: Specific Parts</b>	
Date:	PO#:	SO#:		
Bill To:		Ship To:		
Quote #:	Phone:	Serial #:		



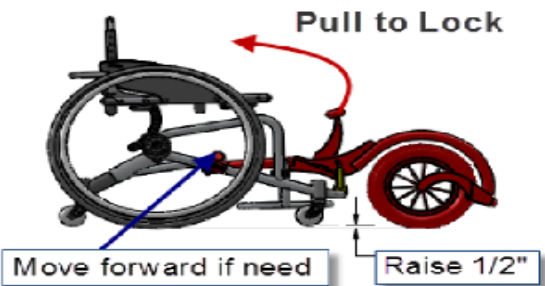
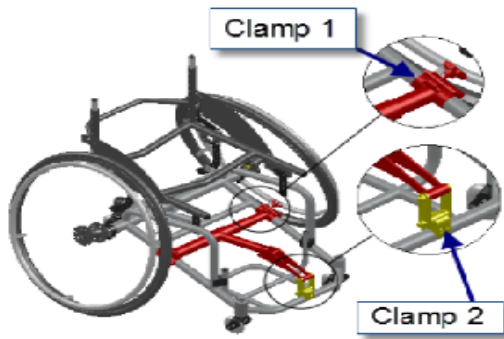
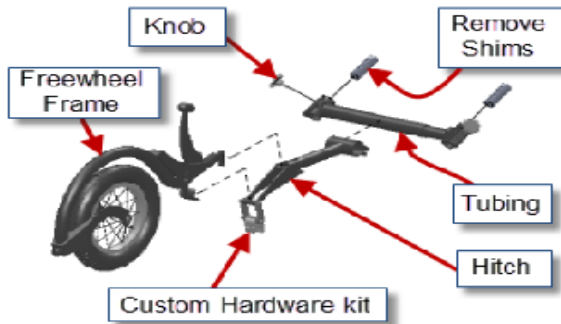
ITEM NO.	PART NUMBER	PER Chair	DESCRIPTION	ORDER QTY
1	1139791	1	Lower Frame - Pro-2	EA
2	1054099	2	Dome Plug	EA
3	1166445	3	Fork Stem- HHCS, 1/2-20 UNF X 2", GR5 Z/P & Nut	EA
4	1166444	1	Footrest, Double Tubular	EA
	1068727	2	Footrest Clamp 1 - 3/4"	EA
5	1166613	2	Seat Support, Strap	EA
6	1054280	1	Screw-On Seat Upholstery	EA
7	1180958	2	Screw-On Aluminum Side Guard	EA
8	1181193	1	Freewheel Assembly, Adapter & Hardware Kit	EA
9	1181195	1	Freewheel Fixture Bracket	EA
10	1181176	1	Freewheel Mounting Hardware Kit	EA
11	1181194	1	Freewheel Assembly	EA
12	1181196	1	Anti-Tip Clamp Assembly ( <b>Quick Release included</b> )	EA
13	1181197	1	Anti-Tip Adjustable Height Headtube ( <b>Does not include 3" fork</b> )	EA
<b>FOR ALL OTHER PARTS REFER TO PRO BB</b>				
13	TES1			EA



Sports and Recreation Products  
 4501 63rd Circle North  
 Pinellas Park, FL 33781  
 (800) 532-8677 (727) 522-8677  
 Fax: (727)522-1007

# FreeWheel

# Set-Up Instructions Pro-2 & Sport Chair Adapter

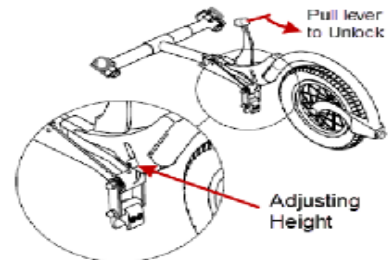
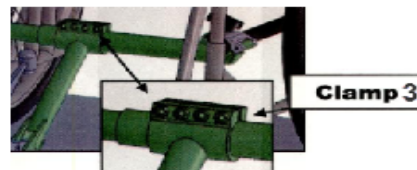


## STEP 1: Getting Started

- A. Separate tubing
- B. Slide Hitch on to one side of tubing. Slide tubing back together.
- C. Open Knobs and remove Tube Shims.

## STEP 2: Securing Adaptor to Your Wheelchair

- A. Slide Adaptor tubing to width of wheelchair and close clamps over wheelchair lower frame tubing.
- B. Secure clamps (1) by lifting knob into slot and tighten.
- C. Secure clamp (2) onto Bumper and tighten.
- D. Start by Slightly tightening all 4 of the screws on the clamp (3), it is important to not completely tighten each screw, but to slowly tighten all 4, a little at a time.



## STEP 3: Attaching FreeWheel

- A. Raise wheelchair front casters approx. 1/2".
- B. Clamp FreeWheel on to Hitch with FreeWheel in Tail Dragger position.

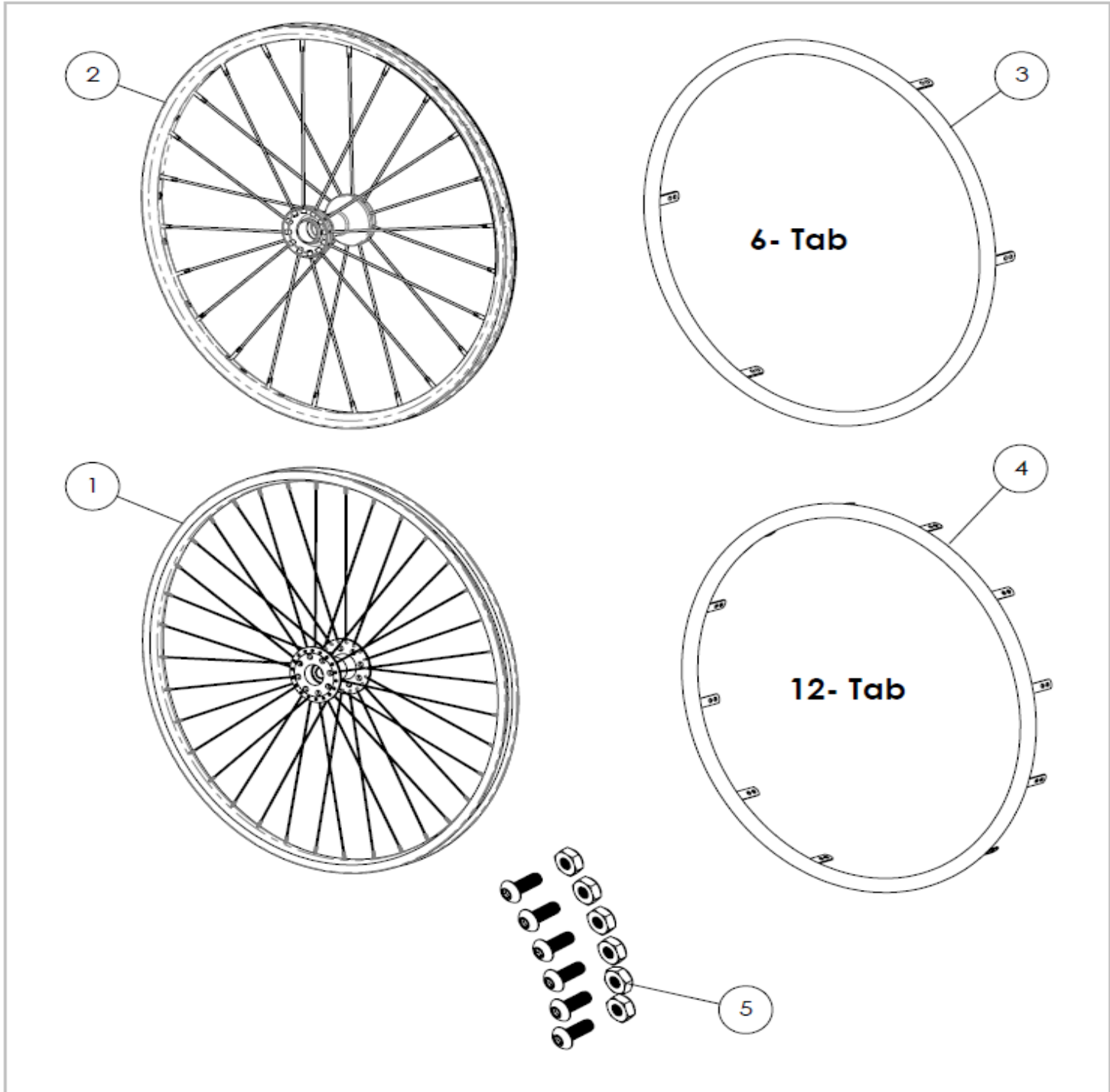
## STEP 4: Final Adjustments

- A. Keep tightening until all of screws are very secure. (4-5 ft-lbs torque).



Sports and Recreation Products  
4501 63rd Circle North  
Pinellas Park, FL 33781  
(800) 532-8677 (727) 522-8677  
Fax: (727) 522-1007

### Parts Order Diagram Pro-2, Pro BB Pro Tennis Frame / Parts





Invacare Top End Sports and Recreation Products

(800) 532-8677 (727) 522-8677 fax: (727) 522-1007

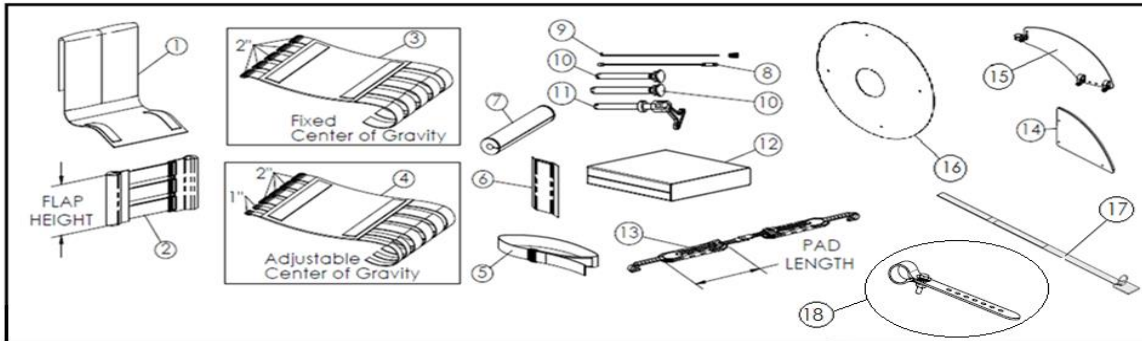
Parts Order Diagram:

**Pro-2, Pro BB, Pro-Tennis: Rear Wheels**

Date:	PO#:	SO#:
Bill To:	Ship To:	
Quote #:	Phone:	Serial #:

	ITEM NO.	PART NUMBER	PER CHAIR	DESCRIPTION	QTY	
<b>WHEELS</b>	1	1054054	2	24" (540) Sun Performance Rear Wheel: Radial		EA
		1166468	2	24" (540) Sun Equalizer Sport Wheel, (36 spoke, cross-laced, Includes 6 tabs HR)		EA
	2	1060202	2	24" (540) Spinergy SPOX Wide Hub <input type="checkbox"/> Yellow <input type="checkbox"/> Black <input type="checkbox"/> Blue <input type="checkbox"/> White <input type="checkbox"/> Red		EA
		1156703	2	24" (540) Spinergy SLX (4mm spoke) <input type="checkbox"/> Yellow <input type="checkbox"/> Black <input type="checkbox"/> Blue <input type="checkbox"/> White <input type="checkbox"/> Red		EA
	1	1054055	2	25" (559) Sun Performance Rear Wheel: Radial		EA
		1166465	2	25" (559) Sun Equalizer Wheel, (38 spoke, cross-laced, Includes 12 tabs HR)		EA
	2	1060892	2	25" (559) Spinergy SPOX Wide Hub <input type="checkbox"/> Yellow <input type="checkbox"/> Black <input type="checkbox"/> Blue <input type="checkbox"/> White <input type="checkbox"/> Red		EA
		1156704	2	25" (559) Spinergy SLX (4mm spoke) <input type="checkbox"/> Yellow <input type="checkbox"/> Black <input type="checkbox"/> Blue <input type="checkbox"/> White <input type="checkbox"/> Red		EA
	1	1054056	2	26" (590) Sun Performance Rear Wheel: Radial		EA
		1166466	2	26" (590) Sun Equalizer Sport Wheel, (48 spoke, cross-laced, Includes 12 tab HR)		EA
	2	1059424	2	26" (590) Spinergy SPOX Wide Hub <input type="checkbox"/> Yellow <input type="checkbox"/> Black <input type="checkbox"/> Blue <input type="checkbox"/> White <input type="checkbox"/> Red		EA
		1156705	2	26" (590) Spinergy SLX (4mm spoke) <input type="checkbox"/> Yellow <input type="checkbox"/> Black <input type="checkbox"/> Blue <input type="checkbox"/> White <input type="checkbox"/> Red		EA
<b>HANDRIMS</b>	3	1054083	2	24" Anodized Handrim 6-tab		EA
		1060873	2	24" Titanium Handrim 6-tab		EA
		1054085	2	25" Anodized Handrim 6-tab		EA
		1060874	2	25" Titanium Handrim 6-tab		EA
		1054087	2	26" Anodized Handrim 6-tab		EA
		1060875	2	26" Titanium Handrim 6-tab		EA
	4	1152955	2	25" Anodized Handrim, 12-tab (only on Spinergy) (requires 2 sets of HW/ handrim)		EA
		1152956	2	26" Anodized Handrim, 12-tab (only on Spinergy) (requires 2 sets of HW/ handrim)		EA
	5	1145898	2	Handrim Hardware Kit (6) 10-32 x 1/2" Screws, (6) 10-32 Locknuts		EA
<b>TIRES AND TUBES</b>		1054064	2	24" (540) Primo V Track High Pressure Clincher Tire		EA
		1127915	2	24" (540) Kenda Sport Tire, Clincher, Red		EA
		1127918	2	24" (540) Kenda Sport Tire, Clincher, Yellow		EA
		1060154	2	24" (540) Tube (Presta Valve)		EA
		1054067	2	25" (559) Primo V Track High Pressure Clincher Tire		EA
		1127916	2	25" (559) Kenda Sport Tire, Clincher, Red		EA
		1127919	2	25" (559) Kenda Sport Tire, Clincher, Yellow		EA
		1060155	2	25" (559) Tube (Presta Valve)		EA
		1054066	2	26" (590) Primo V Track High Pressure Clincher Tire		EA
		1127917	2	26" (590) Kenda Sport Tire, Clincher, Red		EA
		1127920	2	26" (590) Kenda Sport Tire, Clincher, Yellow		EA
		1054074	2	26" (590) Tube (Presta Valve)		EA
		1061213	2	Rim Strip <input type="checkbox"/> 24" <input type="checkbox"/> 25" <input type="checkbox"/> 26" <input type="checkbox"/> 700c		EA
<b>OTHER</b>		1054030	4	Bearing, 1/2" [1-1/8"x1/2"x5/16"] Rear Wheel		EA
		TER40	2	Cut Tabs Aluminum pushrim		EA
		TERTi40	2	Cut Tabs Titanium pushrim		EA
		NA	1	Assemble Wheel: <input type="checkbox"/> Yes <input type="checkbox"/> No		EA
		NA	1	Handrim Mount: <input type="checkbox"/> STD Mount <input type="checkbox"/> Close		EA
	7	TES1				EA

	Invacare Top End Sports and Recreation Products	Parts Order Diagram:	
	(800) 532-8677 (727) 522-8677 fax: (727) 522-1007	<b>Pro-2, Pro BB, Pro-Tennis: Accessories</b>	
Date:	PO#:	SO#:	
Bill To:		Ship To:	
Quote #:	Phone:	Serial #:	



ITEM NO.	PART NUMBER	PER Chair	DESCRIPTION				ORDER QTY
1	1127960	1	Back Center	Back Height:	Seat Width:		EA
2	1153132	1	Back Anchor and Adjuster Assembly <input type="checkbox"/> Black	Back Height:	Seat Width:		EA
	1181185	1	Leather Upgrade, w/Alum Dome Plug Back Style: <input type="checkbox"/> Fixed <input type="checkbox"/> Adjustable	Back Height:	Seat Width:		EA
3	1127963	1	Seat Uph. Fixed Center of Gravity	Seat Width:	Seat Depth:		EA
4	1153134	1	Seat Uph. Adj. Center of Gravity	Seat Width:	Seat Depth:		EA
	1054280	1	Screw-on Seat Upholstery	Seat Width:	Seat Depth:		EA
5	1109772	1	Positioning Strap, Hook & Loop, Seat Width: <input type="checkbox"/> 10"-14" <input type="checkbox"/> 15"-18" <input type="checkbox"/> 19" +				EA
6	1145900	1	Front Frame Vertical Protectors (pair)				PR
7	1146046	1	Sport Rear Frame Protector				EA
8	1060803	na	Spinerigy Spox Spoke (3mm) w/ Nipple	Wheel Size: <input type="checkbox"/> 24" <input type="checkbox"/> 25" <input type="checkbox"/> 26" <input type="checkbox"/> 700C	Wheel Color: <input type="checkbox"/> Yellow <input type="checkbox"/> Black <input type="checkbox"/> White <input type="checkbox"/> Red <input type="checkbox"/> Blue	Hub Size: <input type="checkbox"/> Wide <input type="checkbox"/> Narrow	EA
	1156712	na	Spinerigy LX/SLX Spoke (4mm)	Wheel Size: <input type="checkbox"/> 24" <input type="checkbox"/> 25" <input type="checkbox"/> 26" <input type="checkbox"/> 700C	Wheel Color: <input type="checkbox"/> Yellow <input type="checkbox"/> Black <input type="checkbox"/> White <input type="checkbox"/> Red <input type="checkbox"/> Blue	Hub Size: <input type="checkbox"/> Wide <input type="checkbox"/> Narrow	EA
9	1059514	na	Metal Spoke w/Nipple	Wheel Size: <input type="checkbox"/> 24" <input type="checkbox"/> 25" <input type="checkbox"/> 26" <input type="checkbox"/> 700C	<input type="checkbox"/> Radial <input type="checkbox"/> Crossed		EA
10	1065303	2	Axle, Quick Release, Standard Length				EA
	1060140	2	Axle, Quick Release, Sport Length				EA
	1060842	2	Axle, Quick Release, Titanium for Standard Length				EA
	1060843	2	Axle, Quick Release, Titanium Sport Length				EA
11	1043487	2	Axle, Quad Release, Standard Length				EA
12	1054272	1	Soft Cushion <input type="checkbox"/> 2 in. <input type="checkbox"/> 3 in. <input type="checkbox"/> 4 in.	Seat Width:	Seat Depth:		EA
	1060130	1	Hard Cushion <input type="checkbox"/> 2 in. <input type="checkbox"/> 3 in. <input type="checkbox"/> 4 in.	Seat Width:	Seat Depth:		EA
13	1152963	1	Click Strap Set, 8" Pad Length (Small)				EA
	1152964	1	Click Strap Set, 10" Pad Length (Medium)				EA
	1152965	1	Click Strap Set, 12" Pad Length (Large)				EA
14	1059414	1	Fixed Aluminum Side Guard (RH & LH, Outline Required)				PR
15	1153020	2	Clamp-On Fixed Aluminum Side Guards, Carbon Fiber <input type="checkbox"/> 7"x11" <input type="checkbox"/> 9"x14"				EA
16	1054079	2	24" Spoke Guard, Specify Clear or Black <input type="checkbox"/> Clear <input type="checkbox"/> Black				EA
	1060699	2	25" Spoke Guard, Specify Clear or Black <input type="checkbox"/> Clear <input type="checkbox"/> Black				EA
	1054081	2	26" Spoke Guard, Specify Clear or Black <input type="checkbox"/> Clear <input type="checkbox"/> Black				EA
17	1166701	1	Metal O-Ring Belt - <b>Specify Seat Width:</b>				EA
18	1166622	2	Webbing mount for Click Strap				EA
	TER148	NA	Basketball Carrying Bag				PR
	TES1						EA