



TiLite Aero T - Order Form



Dealer Name*: _____ Account #*: _____

City, State, Zip: _____

Phone: _____ Email: _____ ATP: _____

Rep Name: _____ P.O. Number: _____ Quote Number: _____

Client Reference*: _____ Client Weight: _____

Special considerations that need to be addressed here (e.g., diagnosis): _____ *Required field

Frame Style

ATFS1	Aero T Aluminum Frame Full adjustability. 265lb weight limit. For rear seat width and seat depth $B \geq 15"$ use K0005. For rear seat width and seat depth $< 15"$ use E1235.	K0005, E1235	\$ 3,191.00
TAFS1	TRA Titanium Frame Full adjustability. 265lb weight limit. For rear seat width and seat depth $\geq 15"$ use K0005. For rear seat width and seat depth $< 15"$ use E1235.		\$ 1,609
TRFS1	TR Titanium SuperLite Frame Minimal adjustability. 265lb weight limit. For rear seat width and seat depth $\geq 15"$ use K0005. For rear seat width and seat depth $< 15"$ use E1235.		\$ 550

Frame Options

THDR1	Heavy Duty Frame - Aero T / TRA Not available with TR titanium Frame. 350lb weight limit. Requires tension adjustable by straps back upholstery, billet aluminum front wheels, Shadow Spinerger SPOX or LX rear wheels. Only available with 0° or 2° camber. Not available with Slipstream or Glide forks, carbon fiber camber tube or velcro adjustable upholstery.		No charge
THDR1	Heavy Duty Frame - TR 350lb weight limit. No charge when 20" rear seat width and 20" seat depth are selected. Includes billet aluminum front wheels. Requires tension adjustable by straps back upholstery, Shadow, Spinerger SPOX or LX rear wheels. Only available with 0° or 2° camber. Not available with Slipstream or Glide forks, carbon fiber camber tube or velcro adjustable upholstery.		\$ 485
TQST1	Q'Straint Adaptable Frame Not available with TR titanium Frame. 350lb weight limit. Requires tension adjustable by straps back upholstery, billet aluminum front wheels, folding backrest, Shadow, Spinerger SPOX or LX rear wheels. Only available with 0° or 2° camber. Not available with Slipstream or Glide fork, open loop footrest, V-front taper or carbon fiber camber tube.		No charge

SmartDrive Power Assist System

TMAXSD1	Permobil SmartDrive MX2+ Not available with rear seat heights less than 13.5" or 20" rear wheels. SmartDrive apps available on Apple App Store and Google Play Store for Apple Watch Series 5 or newer, and Samsung Galaxy Watch 4 or newer.	E0986	\$ 7,529.00
TMAXSD18	Switch Control Buttons		No charge
TMAXSD8	SwitchControl Button with Mono Jack Option		No charge
TMAXSD19	Buddy Button For use with SwitchControl button with mono jack option.		No charge
TMAXSD4	Carrying Bag		\$ 84.00
TMAXSD10	Universal Padded Handle		\$ 22.00

Frame Finishes

TFF1	Satin Finish Available with titanium frames only.	No charge		
	SCBT1 Buffing Pads for Satin Frame	\$ 22.00		
TFF	Powder Coated Frame Select below.	No charge		
Frame Color:	TFF8 High Gloss Black	TFF10 Red Pepper	TFF29 Neon Pink	TFF14 Ocean Blue Metallic
	TFF15 Tangerine Metallic	TFF30 Acid Green Metallic	TFF17 Midnight Blue Pearl	TFF18 White Pearl
	TFF19 Black Lava	TFF27 Titanium Grey	TFF59 Pomegranate Red	TFF62 Blue Mist
	TFF57 Indigo Purple	TFF40 Hyper Blue	TFF41 Flame Orange	TFF42 OD Green
	TFF60 Silver Streak	TFF63 Lavendar Dusk	TFF58 Black Galaxy	TFF61 Seafoam Green
	TFF64 Daffodil Yellow			
TFF3	Tattoos Tattoos on front frame tubes. Titanium frame finished in satin. Tattoos will be trimmed and adjusted to fit your frame.	\$ 375		
	TFF65 Liquid	TFF66 Bloom	TFF67 Rebel	TFF68 Vector



Liquid



Bloom



Rebel



Vector

Color Anodize Package

Standard:	Black	Standard
Anodized Package:	Gold Green Purple Orange Blue Red	\$ 71.00

Includes caster mount, caster fork and caster caps. If no anodize colour is selected, default will be black.

TiFit: Tailored Individualized Frame

Measurements shown below are our most popular selections. Not seeing what you want? Contact customer service or view our Creative Mobility Division (CMD) catalog [here](#) to view additional options. Please refer to Reference Diagrams at end of form for more information.

Rear Seat Width 'A' | Measure from outside of seat tube at back post to the outside of the opposite seat tube at back post.

TSW1:	12" 13" 14" 15" 16" 17" 18" 19"	
TSW3:	19" (TR)	\$ 140
TSW2:	20"	E2201 \$ 536.00

HCPCS code only applies to 20" rear seat width. >20" sizes available through CMD.

Front Seat Width (Seat Taper) 'T' | Measure from inside of front frame tube to inside of opposite front frame tube. Required with V-front end, not with standard front end.

TFSW1	No Taper	Standard
TFSW2	1" Taper 3" narrower than Rear Seat Width 'A'. Includes tension adjustable by straps seat upholstery. Bolt on adjustable sling available through CMD #20.	\$ 304.00
TFSW4	2" Taper 4" narrower than Rear Seat Width 'A'. Includes tension adjustable by straps seat upholstery. Bolt on adjustable sling available through CMD #20.	\$ 304.00

Seat Depth 'B' | Measure from front of back post to the front edge of seat sling. Frame bend will start 0.5" in front of seat sling unless Custom Frame Depth is specified or the combination of specifications affect the rolling dynamics of the chair.

TSD1:	12" 13" 14" 15" 16"	
	17" 18" 19"	
TSD2:	20"	E2203 \$ 568.00
TSD3 Custom Frame Depth:	Specify:	No charge

Measure from front of seat sling to beginning of frame bend. Ranges from 0.5"-2" and can be given as specific as 0.25" increments. A custom frame depth outside the specified range may be available through our Creative Mobility Division. A custom frame depth of 20" will have an additional charge.

Ergonomic Seat 'U' | Measure from front of back post to beginning of upward bend of seat tube.

TERG1	TR Ergonomic Seat Tension adjustable by strap comes standard. Bolt on adjustable sling available through CMD #20. Solid seat available through CMD #16.	\$ 369.00
	5" 6" 7" 8" 9"	
TERG2	Aero T and TRA Ergonomic Seat Not available with V-front or seat taper, seat back that locks when folded, desk armrests, depth adjustable backrests, fold down rigid sideguards, fendered adjustable sideguards or Curve cushion. Bolt on adjustable sling available through CMD #20. Solid seat available through CMD #16. Minimum seat depth 12" for 6"-7". Minimum seat depth 13" for 8".	\$ 433.00
	6" 7" 8"	

Back Supports

ROHO Back Supports

SBRS14	Agility Active Aluminum, Min Contour with Foam <i>Includes fixed hardware. Select shell height.</i>	E2620	\$ 738.00
SBRS15	Agility Active Aluminum, Mid Contour with Foam <i>Includes fixed hardware. Select shell height.</i> 8" 10"	E2620	\$ 738.00
SBRS7	Agility Carbon Min Contour Back with Foam/Air Insert <i>Includes fixed hardware. Select shell height.</i>	E2620	\$ 738.00
ACB1	Agility Carbon Min Upgrade <i>Required with Agility Carbon Backs. Not available with bolt-on push handles.</i>		\$ 464.00
SBRS9	Agility Carbon Mid Contour Back with Foam/Air Insert <i>Includes fixed hardware. Select shell height.</i>	E2620	\$ 738.00
ACB2	Agility Carbon Mid Upgrade <i>Required with Agility Carbon Backs. Not available with bolt-on push handles.</i> 10" 13" 16"		\$ 464.00

Comfort Back Supports

SBRS22	Comfort Embrace Back <i>Replaces Comfort Acta-Embrace Back. Includes 2-point quick release Compass hardware. Select shell height.</i> 10" 12" 14" 16" Comfort-Tek Cover Diamond Spacer Cover Privacy Shield	E2613	\$ 700
SBRS23	Comfort Relief Back <i>Replaces Comfort Acta-Relief Back. Includes 2-point quick release Compass hardware. Select shell height.</i> 10" 12" 14" 16" Comfort-Tek Cover Diamond Spacer Cover Privacy Shield	E2615	\$ 886
			\$ 52
			\$ 52

Back Upholstery

TBUP2	Velcro Adjustable <i>Not available with fold-down push handles.</i>		Standard
TBUP3	NEW Tension Adjustable By Straps, Padded Nylon <i>Required for fold-down push handles.</i>	E2611	\$ 369.00
TBUP5	Tension Adjustable By Straps, AIR Breathable <i>Required for fold-down push handles.</i>	E2611	\$ 369.00
TUPC3	Ultrasuede Backrest Stripe, Black <i>Not available with AIR breathable upholstery.</i>		\$ 115.00
TBUP0	Omit Back Upholstery		No charge

Backrest

Back Type

TSB1	Folding Aluminum Adjustable Height Back <i>Required for heavy duty frame.</i>		Standard
TSB2	Folding Titanium Adjustable Height Back, Rounded Rigidizer Bar <i>Titanium back will match frame finish.</i>		\$ 277.00
TSB15	Non-Folding Fixed Height Titanium Back, Rounded Rigidizer Bar <i>Not available with Aero T, TRA or push handles. Titanium back will match frame finish.</i>		\$ 315.00

Back Options

TSB11	Backrest Locks When Folded <i>Available on all backs. Not available with ergonomic seat.</i>		Standard
TSB12	4" Deep Backrest Rigidizer Bar <i>Not a rounded style rigidizer bar. Not available with non-folding, fixed height titanium back type.</i>		No charge
TSB3	TiShaft Back Release Bar, Aluminum <i>Not available with non-folding or fixed height titanium backs.</i>		Standard
TSB5	TiShaft Back Release Bar, 2x2 Twill Weave Carbon Fiber <i>Not available with non-folding or fixed height titanium backs.</i>		\$ 82.00

Push Handles

TSB6	Integrated Push Handles		No charge
TSB7	Integrated Fold-Down Push Handles <i>Requires tension adjustable by straps back upholstery.</i>		\$ 125.00
TSB8	Bolt-On Push Handles <i>Includes 4" deep backrest rigidizer bar.</i>		\$ 217.00
TSB9	Bolt-On Height-Adjustable Push Handles <i>Includes 4" deep backrest rigidizer bar.</i>		\$ 363.00

Folding Back Height 'F' | TSB1/TSB2. Set at 0.5" increments.

Push Handles	None / Bolt-On	9.5"-11.5"	12"-16.5"	16"-20.5"	Set at:
	Integrated	11"-12.5"	13.5"-16.5"	17.5"-20.5"	Set at:
	Fold-Down	13.5"-15"	14.5"-18.5"	18.5"-21"	Set at:
		Short	Medium	Tall	Specify
Folding Back Height					

Fixed Back Height 'F'

Select height:	5"	5.5"	6"	6.5"	7"	7.5"	8"	8.5"	9"	9.5"	10"	10.5"
	11"	11.5"	12"	12.5"	13"	13.5"	14"	14.5"	15"	15.5"	16"	16.5"
	17"	17.5"	18"	18.5"	19"	19.5"	20"					

Required for fixed side guards. Not available with swing-away tubular or swing-away flip-back tubular armrests, integrated push handles, integrated fold-down push handles or bolt-on height adjustable push handles.

Back Angle 'G' | TSBA1 Measure angle from front of back post to floor.

Folding Back:	80°	83°	86°	89°	92°	95°	98°	101°					
Fixed Back:	80°	81°	82°	83°	84°	85°	86°	87°	88°	89°	90°	91°	92°
	93°	94°	95°	96°	97°	98°	99°	100°	101°				

Rear Wheel Positioning

Center of Gravity 'H' | Measure from front of back post at the seat tube to the center of the rear axle. If no center of gravity is selected the chair will ship with the center of gravity in the most rearward position. Ergo seat selection may limit available center of gravity.

TCOG1:	1"	1.25"	1.5"	1.75"	2"	2.25"	2.5"	2.75"	3"	3.25"	3.5"	3.75"
	4"	4.25"	4.5"	4.75"	5"							

Rear Wheel Spacing 'J' | Measure from outside of back post to inside of rear tire. TRA 0.75" rear wheel spacing not with 0° or 2° camber.

TRWS1	Fixed Rear Wheel Spacing												Standard
		0.75"	1"	1.25"									
TGBR12	Adjustable Rear Wheel Spacing Camber Plugs												No charge
TGBR9	Additional Spacers to Increase Rear Wheel Spacing												No charge
TGBR11	Zero Play Aluminum Camber Plugs Not available with power adaptable frame or more than 6° camber.												No charge

Camber 'K'

TGBR1:	0°	2°	4°	6°									E2601
	8° camber may be available through our Creative Mobility Division												
TGBR15	Aluminum Camber Tube												Standard
TGBR3	Titanium Camber Tube												E2624 \$ 217.00
TGBR4	Carbon Fiber Camber Tube Only available on TR and only with 0°, 2°, 4° zero play plugs. Not available with anti-tips, or heavy duty frame.												\$ 300

Seat Upholstery

TSUP1	Tension Adjustable Bolt-On Upholstery, Black Not available with ergonomic seat or tapered seat.												Standard
TSUP2	Tension Adjustable By Straps, Black Standard with ergonomic seat and seat taper of 1"-3".												\$ 201.00
TSUP8	Aluminum Solid Seat Ergonomic seat requires CMD016. Not with 10" or 11" rear seat width.												E2231 \$ 309.00
TSUP0	Omit Seat Upholstery												No charge
CMD018	Custom iSleeve Please provide sleeve width and depth (inches) in Notes section at the end of this order form. Add 1" to device depth and 0.25" to width. Best when used with tension adjustable bolt-on upholstery. Some limitations may apply.												CMD

Seat Cushions

TCSH2	Comfort Curve Cushion Stretch-Air cover.												E2601 \$ 122.00
TCSH23	Comfort Acta-Embrace™ Comfort-Tek Zero Elevation Cushion												E2607 \$ 428.00
TCSH11	ROHO Single Compartment Cushion Fits seat widths 14"-19".												E2622 \$ 534.00
	Low Profile	Mid Profile	High Profile										
TCSH14	ROHO Quadro Select Cushion Fits seat widths 14"-19".												E2624 \$ 534.00
	Low Profile	Mid Profile	High Profile										
TCSH16	ROHO Hybrid Select Cushion Fits seat widths 14"-18", and 20"												E2624 \$ 571.00
TCSH17	Vicar Vector O2 Comfair Cover. Fits seat widths 14"-19". Non-stock upcharges may apply.												E2624 \$ 542.00

Front Wheels

TFW24	3"x1.4" LiteSpeed-7 Billet Aluminum Wheel w/Soft Roll Tire	\$ 206.00
	Silver Hub Black Hub	
TFW14	4"x0.75" Plastic Wheel w/Poly Tire <i>Not available with Slipstream fork.</i>	No charge
TFW3	4"x0.75" Light-Up Micro Caster <i>Not available with Slipstream fork.</i>	\$ 88.00
TFW26	4"x1.4" LiteSpeed-7 Plastic Wheel w/Soft Roll Tire <i>Not available with power assist or heavy duty frame.</i>	No charge
TFW27	4"x1.4" LiteSpeed-7 Billet Aluminum Wheel w/Soft Roll Tire	\$ 217.00
	Silver Hub Black Hub	
TFW6	5"x1" Plastic Wheel w/Poly Tire <i>Not available with 90° front angle or Slipstream fork.</i>	No charge
TFW28	5"x1.4" LiteSpeed-7 Plastic Wheel w/Soft Roll Tire <i>Not available with 90° front angle.</i>	No charge
TFW30	5"x1.4" LiteSpeed-7 Billet Aluminum Wheel w/Soft Roll Tire <i>Not available with 90° front angle.</i>	\$ 233.00
	Silver Hub Black Hub	
TFW9	6"x1" Plastic Wheel w/Poly Tire <i>Not with 85° or 90° front angle or Slipstream fork.</i>	No charge
TFW32	6"x1.4" LiteSpeed-7 Plastic Wheel w/Soft Roll Tire <i>Not with 85° or 90° front angle or Slipstream fork.</i>	No charge
TFW33	6"x1.4" LiteSpeed-7 Billet Aluminum Wheel w/Soft Roll Tire <i>Not with 85° or 90° front angle or Slipstream fork.</i>	\$ 244.00
	Silver Hub Black Hub	

Precision Lock Front Forks

TFK1	TiLite Standard Fork	Standard
TFK2	TiLite Slipstream Single-Sided Fork	\$ 185.00
TGL1	Glide Suspension Fork <i>Black anodize only. Select rider weight.</i>	E1015 \$ 526.00
	125lbs 125-180lbs 180-265lbs	
TTFS1	Titanium Fork Stem <i>Comes standard on TR.</i>	\$ 66.00

Rear Wheels

See rear seat height ranges chart for rear seat height 'D' limitations.

TRW14	TiLite SHADOW Rear Wheel <i>Select size. 25" and 26" wheels require 15" minimum seat depth.</i>	Standard
	20" (451) 22" (501) 24" (540) 25" (559) 26" (590)	
TRW7	Spinergy SPOX Rear Wheel <i>Select size and spoke color. 25" and 26" wheels require 15" minimum seat depth. Orange, pink, purple and green spokes only available in 20" size.</i>	\$ 1,195
	20" (451) 22" (501) 24" (540) 25" (559) 26" (590)	
	Black Red Blue White Orange Pink Purple Green	
TRW8	Spinergy LX Rear Wheel <i>Select size and spoke color. 25" and 26" wheels require 15" minimum seat depth.</i>	\$ 1,295
	22" (501) 24" (540) 25" (559) 26" (590)	
	Black Red Blue White Orange Pink Purple Green	
TRW9	Spinergy Design Lab LX Rear Wheel <i>Black spokes only. Select size and anodizing color. If same color is selected, anodized hubs and rims match colour anodized package. 25" and 26" wheels require 15" minimum seat depth.</i>	\$ 1,995
	22" (501) 24" (540) 25" (559) 26" (590)	
	Gold Green Blue Red Purple Orange	
TRW16	Spinergy Carbon Blade Rear Wheel <i>2x2 twill weave carbon fiber. Not available with heavy duty frame. 25" wheels require 15" minimum seat depth.</i>	\$ 1,795
	24" (540) 25" (559)	
TRW17	X-Core Mag Rear Wheel <i>Select size. Not available with heavy duty frame, short tabs, quad release axles, spoke guards or omit handrims options. Requires aluminum silver anodized handrims.</i>	\$ 225
	20" (451) 22" (501) 24" (540)	

Axles

TAXL1	Stainless Quick Release Axle	Standard
TAXL2	Titanium Quick Release Axle	\$ 277.00
TAXL3	Quad Release <i>Not available with Mag or 26" (590) Spinergy Spox or LX rear wheels.</i>	\$ 169.00

Pneumatic Rear Tires

TRTR1	Treaded Tire 22"(501), 24"(540), 26"(590)		No charge
TRTR2	Airless Inserts <i>Not available with Spinergy Carbon Blade rear wheels.</i>	E2213	\$ 98.00
TRTR31	MBL SpeedLite Tire 20"(451), 22"(501), 24"(540), 25"(559), 26"(590)		No charge
TRTR10	MBL Gazelle Tire 24"(540), 25"(559) <i>Kevlar bead, lightest weight option. Not available on the Aero T.</i>		\$ 99
TRTR30	Primo Sentinel Tire 24"(540), 25"(559), 26"(590)		\$ 136.00
TRTR8	Schwalbe Marathon Plus Evolution Tire 24"(540), 25"(559), 26"(590)		\$ 169
TRTR32	Primo C-764 Knobby Tire 24"(540)		\$ 104.00

Solid Rear Tires

TRTR22	Primo Orion Tire 20"(451), 22"(501), 24"(540), 25"(559) <i>Not available with Spinergy Carbon Blade rear wheels.</i>		\$ 120.00
TRTR23	Primo Active Tire 24"(540), 25"(559) <i>Not available with Spinergy Carbon Blade rear wheels.</i>	E2213	\$ 147.00

Handrims

TRIM1	Aluminum Handrim, Silver Anodized		Standard
TRIM21	Aluminum Handrim, Black Anodized		No charge
TRIM12	Titanium Handrim, Satin Finish <i>Not available with 20"(451) or 22"(501) rear wheels or 24"(540) knobby tires.</i>		\$ 509.00
TRIM20	Q-Grip Handrim <i>Exclusive high-friction, anti-slip coating. Not available with 20"(451) rear wheels.</i>		\$ 358.00
TRIM5	Plastic Coated Handrim, Black		\$ 174.00
TRIM10	The Surge Handrim <i>Large profile. All-In-One oval with Gription strip.</i>		\$ 433.00
TRIM11	The Surge LT Handrim <i>Small profile. All-In-One oval with Gription strip.</i>		\$ 466.00
TRIM14	The Natural-Fit Handrim, Standard Grip <i>Original, large profile. Not available with short tabs or Spinergy Carbon Blade rear wheels.</i>		\$ 428.00
TRIM15	The Natural-Fit Handrim, Super Grip <i>Original, large profile. Not available with short tabs or Spinergy Carbon Blade rear wheels.</i>		\$ 466.00
TRIM16	The Natural-Fit Handrim, Without Thumb Grip <i>Original, large profile.</i>		\$ 390.00
TRIM17	The Natural-Fit LT Handrim, Standard Grip <i>Reduced weight, small profile. Not available with short tabs or Spinergy Carbon Blade rear wheels.</i>		\$ 440.00
TRIM18	The Natural-Fit LT Handrim, Super Grip <i>Reduced weight, small profile. Not available with short tabs or Spinergy Carbon Blade rear wheels.</i>		\$ 514.00
TRIM19	The Natural-Fit LT Handrim, Without Thumb Grip <i>Reduced weight, small profile.</i>		\$ 423.00
TRIM22	Omit Handrims		No charge

Handrim Tab Length

TRIM7	Long Tabs		Standard
TRIM8	Short Tabs <i>Not available with Mag rear wheels, The Natural-Fit handrims with thumb grip, or Natural-Fit handrims on Shadow wheels.</i>		\$ 28.00

Wheel Locks

TWLK7	Compact Composite Push to Lock <i>Available with 0.75"-1.5" rear wheel spacing only.</i>		No charge
TWLK8	Compact Composite Pull to Lock <i>Available with 0.75"-1.5" rear wheel spacing only.</i>		No charge
TWLK10	Extension Handles for Compact Composite Push/Pull to Lock	E0961	\$ 93.00
TWLK11	MBL Composite Scissor Lock		\$ 158.00
TWLK12	MBL Performance Aluminum Scissor Lock		\$ 175
TWLK3	Uni-Lock		\$ 179.00
	Push Pull		
TWLK4	Extension Handles for Uni-Lock	E0961	\$ 93.00
TWLK15	Grade Aids Push to Lock <i>Not available with solid rear tires.</i>	E0974	\$ 190.00

Side Guards

TSDG13	Side Guards Custom Cut to Profile of Rear Wheels Available for aluminum and carbon non-fendered side guards.		\$ 342.00
CMD007	Custom Offset Profiled Side Guards (Removable or Fold-Down) Please specify desired offset to nearest 0.5" and side guards type (rigid or fold-down) in the Notes section of this order form. Side guard material must be selected. Some limitations may apply.		CMD
CMD	Fixed Side Guards CMD33 (fendered carbon fiber) or CMD73 (flat panel aluminum or carbon fiber) available. TRA also requires CMD19 (fixed back). Not available on Aero T. Please visit our CMD catalogue, pricing will vary.		CMD

Aluminum

TSDG2	Aluminum Side Guards, Rigid Removable	E0956, E1034	\$ 217.00
	Small Standard		
TSDG14	Aluminum LT Side Guards, Rigid Removable Not available on the Aero T.	E0956, E1034	\$ 217
	Small Standard		
TSDG3	Aluminum Side Guards, Quad Removable w/Hole	E0956, E1034	\$ 233.00
	Small Standard		
TSDG15	Aluminum LT Side Guards, Quad Removable w/Hole Not available on the Aero T.	E0956, E1034	\$ 233
	Small Standard		
TSDG4	Aluminum Fold Down Side Guards, Rigid Not available with ergonomic seats.	E0956, E1034	\$ 363.00
	Small Standard		
TSDG6	Aluminum Fendered Side Guards, Adjustable 24"-25" rear wheels require rear seat height 14.5"-19.5". 26" rear wheels require rear seat height 15.5"-18.5".	E0956, E1034	\$ 363.00

2x2 Twill Weave Carbon Fiber

TSDG7	Carbon Side Guards, Rigid Removable	E0956, E1034	\$ 336.00
	Small Standard		
TSDG16	Carbon LT Side Guards, Rigid Removable Not available on the Aero T.	E0956, E1034	\$ 336
	Small Standard		
TSDG8	Carbon Side Guards, Quad Removable w/Hole	E0956, E1034	\$ 347.00
	Small Standard		
TSDG17	Carbon LT Side Guards, Quad Removable w/Hole Not available on the Aero T.	E0956, E1034	\$ 347
	Small Standard		
TSDG9	Carbon Fold Down Side Guards, Rigid Not available with ergonomic seats.	E0956, E1034	\$ 499.00
	Small Standard		
TSDG12	Carbon Fendered Side Guards, Removable	E0956, E1034	\$ 493.00

Armrests

TARM1	Swing Away Tubular Armrests Select range. Not available with non-folding fixed height titanium back or height adjustable push handles.	E0973	\$ 244.00
	6.5"-9.5" 9.5"-12.5"		
TARM4	Swing Away Flip Back Tubular Armrests, 8.5"-11.5" Not available with non-folding, fixed height titanium back.	E0973	\$ 342.00
TARM2	Removable Height Adjustable Desk Arm with Rigid Side Guard Select range and pad size. Requires 14" minimum seat depth. Not available with ergonomic seat.	E0973	\$ 363.00
	9"-12" 12"-15"		
	Desk Length (10") Full Length (14")		
TARM3	Removable Height Adjustable Desk Arm with Rigid Side Guard and Transfer Loop Select range and pad size. Requires 15" minimum seat depth. Not available with ergonomic seat.	E0973	\$ 406.00
	9"-12" 12"-15"		
	Desk Length (10") Full Length (14")		
TARM5	Armrests Covered in Black Ultrasuede Not available with desk arms.		\$ 120.00

Positioning Belts

TBLT1	Velcro Adjustable Belt, Black Nylon Webbing	E0978	\$ 61.00
TBLT2	Bodypoint 2" Belt, Push-Button Buckle (Auto Style)	E0978	\$ 103.00
TBLT4	Bodypoint 1" Padded Belt, Push-Button Buckle (Auto Style) <i>Not available with 19" or 20" rear seat widths.</i>	E0978	\$ 196.00
TBLT5	Bodypoint 1.5" Padded Belt, Push-Button Buckle (Auto Style) <i>Not available with 19" or 20" rear seat widths.</i>	E0978	\$ 185.00
TBLT10	Bodypoint Optional Band Clamp Mounting Hardware	K0108	\$ 22.00
TBLT16	Bodypoint EvoFlex Pelvic Stabilizer, Push Button	E0978	\$ 201.00

Calf Straps

TCLF2	Velcro Adjustable Small (9"-12" footrest widths) Medium (11"-15" footrest widths) Large (14"-17" footrest widths) Xtra Large (16"-19" footrest widths)	K0038	\$ 44.00
TCLF3	Bodypoint Padded Velcro Adjustable Medium (11"-15" footrest widths) Large (16"-19" footrest widths)	K0038	\$ 109.00
TCLF1	Buckle Adjustable, Black Nylon Webbing	K0038	\$ 34.00

Residual Limb Supports

TRSL1	Residual Limb Support, 8"W x 10"L, Individual Left Right	E1020	\$ 428.00
TRSL2	Residual Limb Support, 8"W x 10"L, Pair	E1020	\$ 855.00

Anti-Tips

TTIP1	Rear Anti-Tips, Aluminum Black	E0971	\$ 174.00
TTIP2	User Friendly Anti-Tips, Flip-Up	E0971	\$ 363.00

Accessories

TGRD1	Clear Lexan Spoke Guards <i>Not available with Mag rear wheels.</i>	K0065	\$ 147.00
TBCK3	Permobil Medical Necessities Backpack		\$ 103.00
TPCH3	Permobil Medical Necessities Seat Pouch		\$ 66.00
TPCH4	Bodypoint Mobility Bag		\$ 109.00
TUEST1	Upper Extremity Support Tray <i>Requires armrests.</i> 12"-14" seat widths 13"-15" seat widths	E0950	\$ 315.00
TLUG1	Luggage Carriers		\$ 158.00
TMPCT2	Black Neoprene Impact Guards with Ultrasuede Stripe		\$ 115.00
TCH1	Crutch Holder	E2207	\$ 244.00
TAFP1	4" Military Service Patch Army Navy Air Force Marines Coast Guard		\$ 115.00

General

Permobil manufactures TiLite manual wheelchairs in a wide variety of configurations to meet the varied needs of wheelchair users. The final selection of a particular model, its options and accessories, and its measurements rests solely with the wheelchair user and the advising healthcare professional. These wheelchairs must be fitted by a qualified healthcare professional. HCPCS Codes are for reference purposes only. Actual coding and coverage varies by payer. Proper HCPCS coding is not a guarantee of payment. Please verify the appropriate payer's coverage policy. Prices, standard features, options and accessories are subject to change without notice. All rights reserved.

Notes

TiFit Reference Diagrams



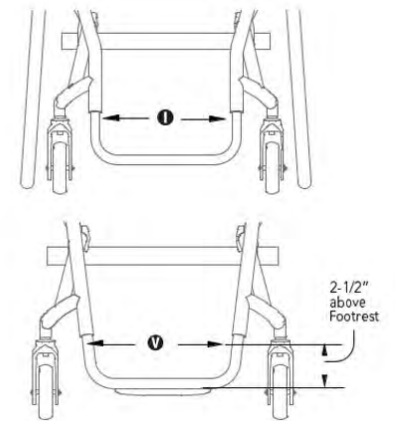
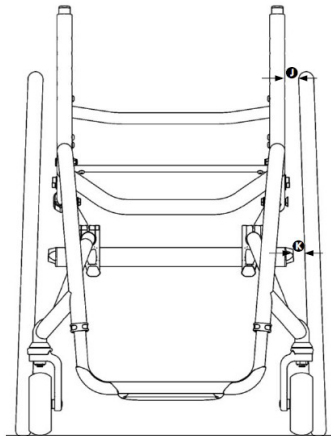
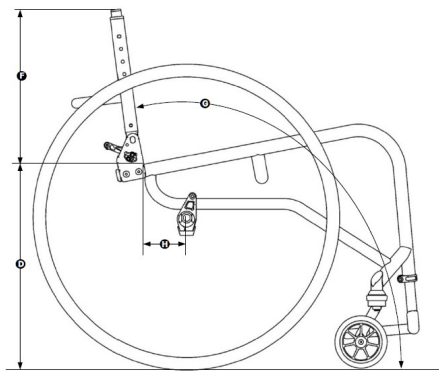
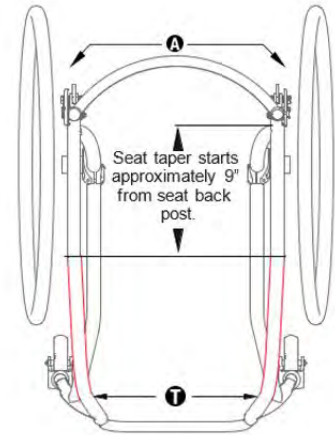
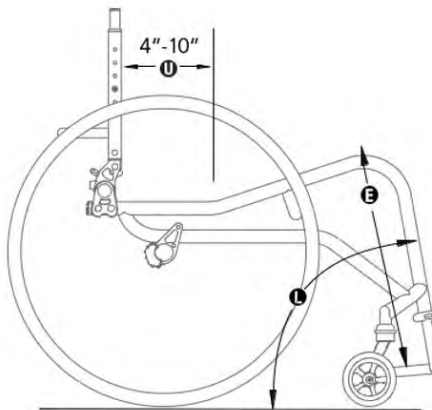
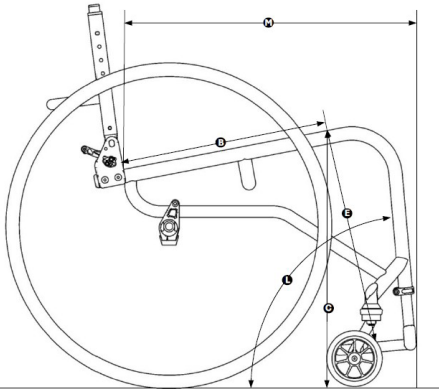
TiLite Aero T



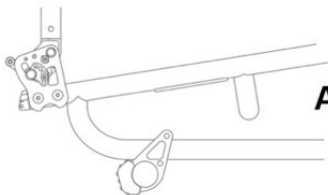
TiLite TRA



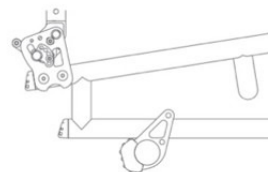
TiLite TR



The rear frame for a TR will be square when the Center of Gravity H measurement is less than **3.25"**. Aero T and TRA will always be a Rounded Rear Frame.



A. Round rear frame



B. Square rear frame